



# complementary accessories

## INNER DOOR STP01

### characteristics

Frame and door manufactured from 1.5mm sheet steel.

### paint finish

CE-TEK standard epoxy polyester powder coating.

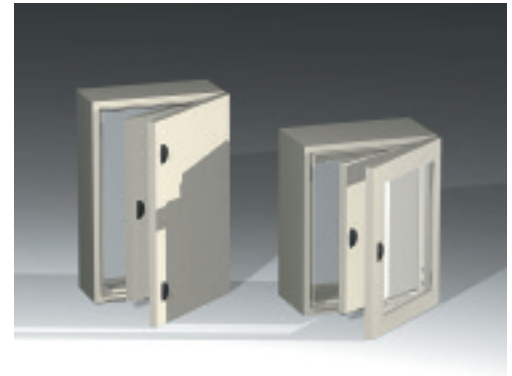
Colour RAL 7032 textured finish.

### supply includes

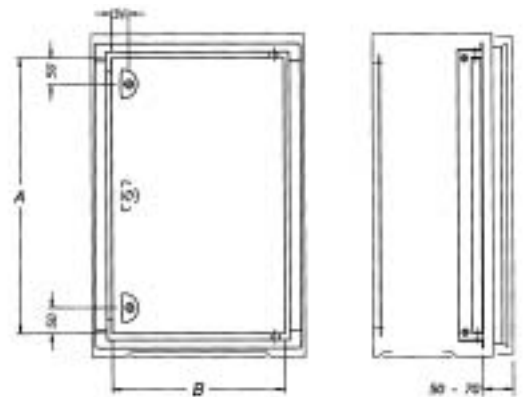
- frame
- door
- lock system with  $\varnothing$  3mm double bar key
- mounting accessories.

### protection degree

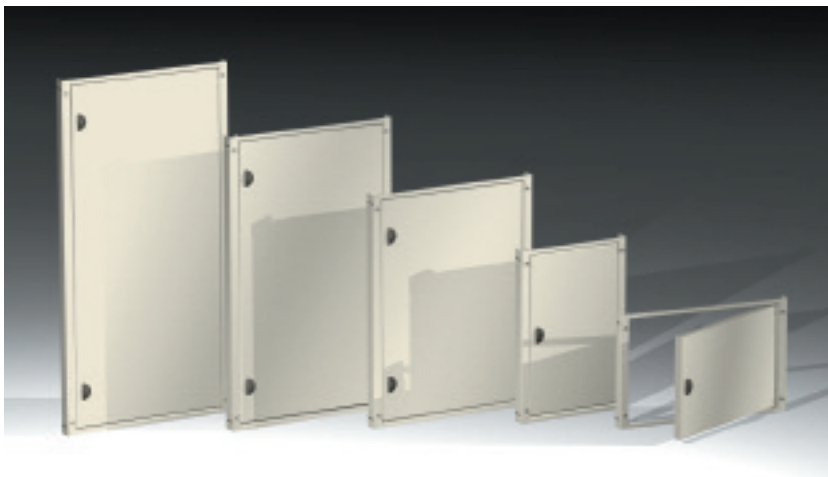
- external: as box
- internal: IP 20.



code		B	A	for box type			
mod.	art.			code		code	
mod.	art.			mod.	art.	mod.	art.
STP 01	45	330	444	CEST4	520	CESTP4	520
STP 01	45	330	444	CEST4	525	CESTP4	525
STP 01	46	330	544	CEST4	620	CESTP4	620
STP 01	46	330	544	CEST4	625	CESTP4	625
STP 01	57	430	644	CEST5	720	CESTP5	720
STP 01	57	430	644	CEST5	725	CESTP5	725
STP 01	64	530	344	CEST6	420	CESTP6	420
STP 01	64	530	344	CEST6	430	CESTP6	430
STP 01	68	530	744	CEST6	825	CESTP6	825
STP 01	68	530	744	CEST6	830	CESTP6	830
STP 01	610	530	944	CEST6	1025	CESTP6	1025
STP 01	610	530	944	CEST6	1030	CESTP6	1030
STP 01	612	530	1144	CEST6	1230	CESTP6	1230
STP 01	810	730	944	CEST8	1030	CESTP8	1030
STP 01	812	730	1144	CEST8	1230	CESTP8	1230



central lock for A<700



# complementary accessories



## MODULAR KIT MDST4-300

### characteristics

Frame manufactured from 1.5mm sheet steel.  
Front panels manufactured from 1.5mm sheet steel.

### paint finish

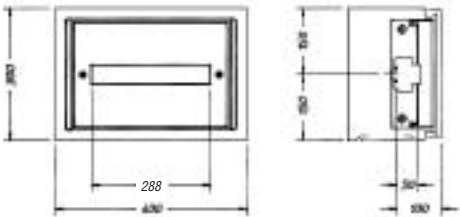
CE-TEK standard epoxy polyester powder coating. Colour RAL 7032 textured finish.

### supply includes

- frame
- front panel with modular slot complete with mounting accessories and captive screws
- zinc plated DIN rail (for each module)
- mounting accessories.

### protection degree

External: as box.  
Internal: IP 1X.



code		no. of 18mm modules	for box type
mod.	art.		
MDST4	300	1 x 16	CEST4 - 320
			CESTP4 - 320



## MODULAR KIT MDST4-400

### characteristics

Frame manufactured from 1.5mm sheet steel.  
Front panels manufactured from 1.5mm sheet steel.

### paint finish

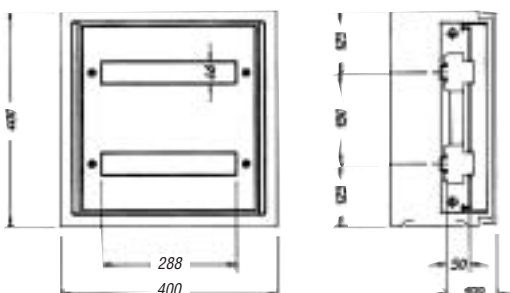
CE-TEK standard epoxy polyester powder coating. Colour RAL 7032 textured finish.

### supply includes

- frame
- front panel with modular slot complete with mounting accessories and captive screws
- zinc plated DIN rail (for each module)
- mounting accessories.

### protection degree

External: as box.  
Internal: IP 1X.



code		no. of 18mm modules	for box type
mod.	art.		
MDST4	400	2 x 16	CEST4 - 420
			CESTP4 - 420



# complementary accessories

## MODULAR KIT MDST4-500

### characteristics

Frame manufactured from 1.5mm sheet steel.  
Front panels manufactured from 1.5mm sheet steel.

### paint finish

CE-TEK standard epoxy polyester powder coating. Colour RAL 7032 textured finish.

### supply includes

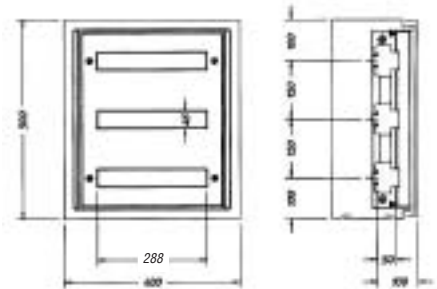
- frame
- front panel with modular slot complete with mounting accessories and captive screws
- zinc plated DIN rail (for each module)
- mounting accessories.

### protection degree

External: as box.  
Internal: IP 1X.



code		no. of 18mm modules	for box type
mod.	art.		
MDST4	500	3 x 16	CEST4 - 520/525
			CESTP4 - 520/525



## MODULAR KIT MDST4-600

### characteristics

Frame manufactured from 1.5mm sheet steel.  
Front panels manufactured from 1.5mm sheet steel.

### paint finish

CE-TEK standard epoxy polyester powder coating. Colour RAL 7032 textured finish.

### supply includes

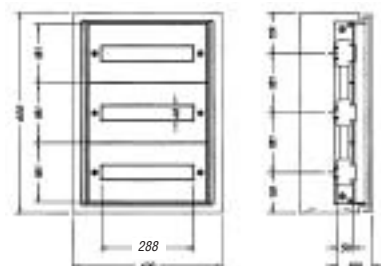
- frame
- front panel with modular slot complete with mounting accessories and captive screws
- zinc plated DIN rail (for each module)
- mounting accessories.
- MDST4 - 200 blank panel on request.

### protection degree

External: as box.  
Internal: IP 1X.



code		no. of 18mm modules	for box type
mod.	art.		
MDST4	600	3	CEST4 - 620/625
		1 x 16	CESTP4 - 620/625



# complementary accessories



## MODULAR KIT MDST6-600

### characteristics

Frame manufactured from 1.5mm sheet steel.  
Front panels manufactured from 1.5mm sheet steel.

### paint finish

CE-TEK standard epoxy polyester powder coating.  
Colour RAL 7032 textured finish.

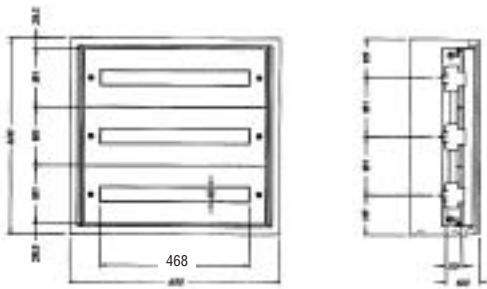
### supply includes

Supply includes:

- frame
  - front panel with modular slot complete with mounting accessories and captive screws
  - zincpassivated DIN rails
  - accessories to mount in the box.
- MDST6-200 blank front panels available on request.

### protection degree

External: as box.  
Internal: IP 1X.



code		no. of 18mm modules	for box type
mod.	art.		
MDST6	600	3 (1 x 26)	CEST6 - 620
			CEST6 - 630
			CESTP6 - 620
			CESTP6 - 630



## MODULAR KIT MDST6-800

### characteristics

Frame manufactured from 1.5mm sheet steel.  
Front panels manufactured from 1.5mm sheet steel.

### paint finish

CE-TEK standard epoxy polyester powder coating.  
Colour RAL 7032 textured finish.

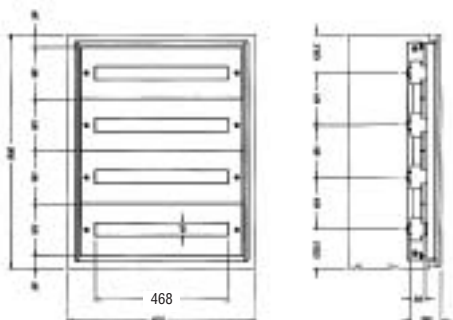
### supply includes

Supply includes:

- frame
  - front panel with modular slot complete with mounting accessories and captive screws
  - zincpassivated DIN rails
  - accessories to mount in the box.
- MDST6-200 blank front panels available on request.

### protection degree

External: as box.  
Internal: IP 1X.



code		no. of 18mm modules	for box type
mod.	art.		
MDST6	800	4 (1 x 26)	CEST6 - 825
			CEST6 - 830
			CESTP6 - 825
			CESTP6 - 830



# complementary accessories

## MODULAR KIT MDST6-1000

### characteristics

Frame manufactured from 1.5mm sheet steel.  
Front panels manufactured from 1.5mm sheet steel.

### paint finish

CE-TEK standard epoxy polyester powder coating.  
Colour RAL 7032 textured finish.

### supply includes

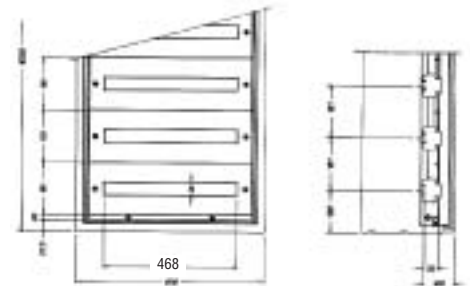
Supply includes:

- frame
- front panel with modular slot complete with mounting accessories and captive screws
- zincpassivated DIN rails
- accessories to mount in the box.

MDST6-200 blank front panels available on request.

### protection degree

External: as box.  
Internal: IP 1X.



code		no. of 18mm modules	for box type
mod.	art.		
MDST6	1000	5 (1 x 26)	CEST6 - 1025
			CEST6 - 1030
			STP6 - 1025
			STP6 - 1030

## MODULAR KIT MDST6-1200

### characteristics

Frame manufactured from 1.5mm sheet steel.  
Front panels manufactured from 1.5mm sheet steel.

### paint finish

CE-TEK standard epoxy polyester powder coating.  
Colour RAL 7032 textured finish.

### supply includes

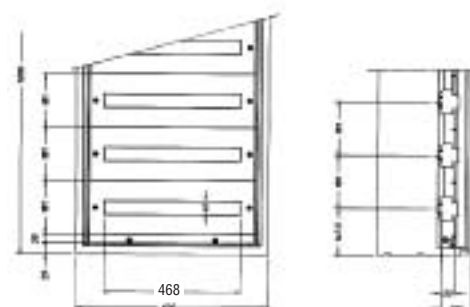
Supply includes:

- frame
- front panel with modular slot complete with mounting accessories and captive screws
- zincpassivated DIN rails
- accessories to mount in the box.

MDST6-200 blank front panels available on request.

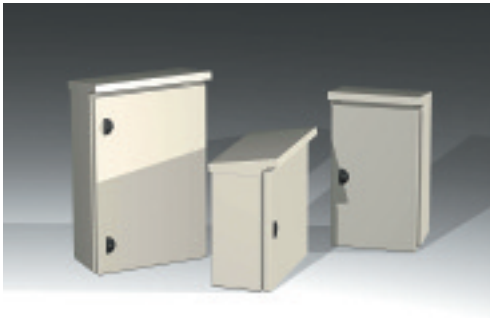
### protection degree

External: as box.  
Internal: IP 1X.



code		no. of 18mm modules	for box type
mod.	art.		
MDST6	1200	6 (1 x 26)	CEST6 - 1230
			CESTP6 - 1230

# complementary accessories



## CANOPY TT

To be used for outdoor installation where the boxes are exposed to all weathers.  
Manufactured from 1.5mm sheet steel.

### paint finish

CE-TEK standard epoxy polyester powder coating.

Colour: RAL 7032 textured finish.

It is recommended that a special paint finish be applied for enclosures placed out-doors.



code		width	depth
mod.	art.		
TT1	04	400	200
TT2	04	400	250
TT1	05	500	200
TT2	05	500	250
TT1	06	600	250
TT2	06	600	300
TT2	08	800	300

Supply includes: one piece with mounting accessories.



# complementary accessories

## HORIZONTAL DOOR RAILS

Manufactured from 1.5mm zincpassivated sheet steel with Ø 4.2mm holes at 25mm centres. To be used to fix cable or trunking.

code		box width
mod.	art.	
WC	001	300
WC	002	400
WC	003	500
WC	004	600
WC	005	800

Supply includes: one piece with mounting accessories.

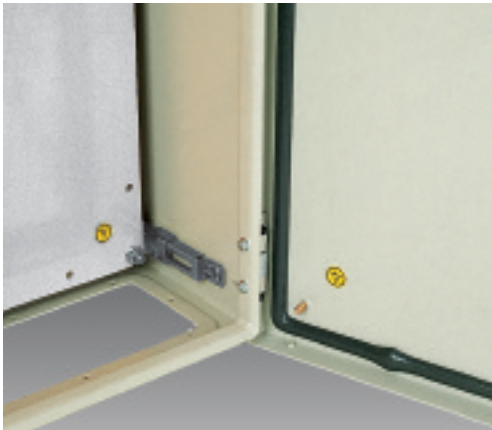


## DOOR STOP WA-060

To be used to hold the door open at 90° avoiding accidental closing. Manufactured from 2mm and 3mm zincpassivated sheet steel. Can be used on CEST and CESTP boxes. Supply includes: single piece with mounting accessories.



# complementary accessories



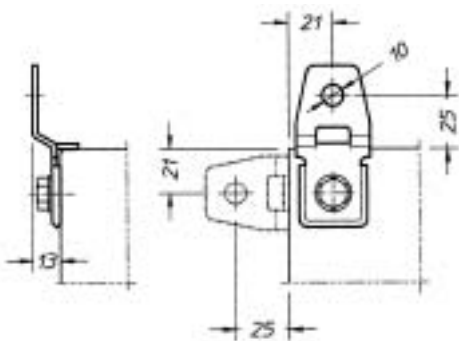
## MOUNTING PLATE ADJUSTER WA

To be used to adjust the depth of the mounting plate.  
Manufactured from 2mm zincpassivated sheet steel.

code		box depth
mod.	art.	
WA	980	200
WA	981	250
WA	982	300

Supply includes: 2 pieces.

- 4 pieces are required for box height  $\leq$  800 mm
- 6 pieces are required for box height  $>$  800 mm.



## WALL MOUNTING BRACKETS SDWC

Manufactured from 2.5mm zincpassivated sheet steel.

Supply includes: 4 pieces.



code	
mod.	art.
SDWC	010



## CABLE ENTRY GLAND PLATE WC

Supply includes:

one gland plate, sealing gasket, mounting accessories.

code		gland plate dimensions
mod.	art.	
WC	016	158 x 78
WC	018	258 x 78
WC	020	358 x 128
WC	022	558 x 128



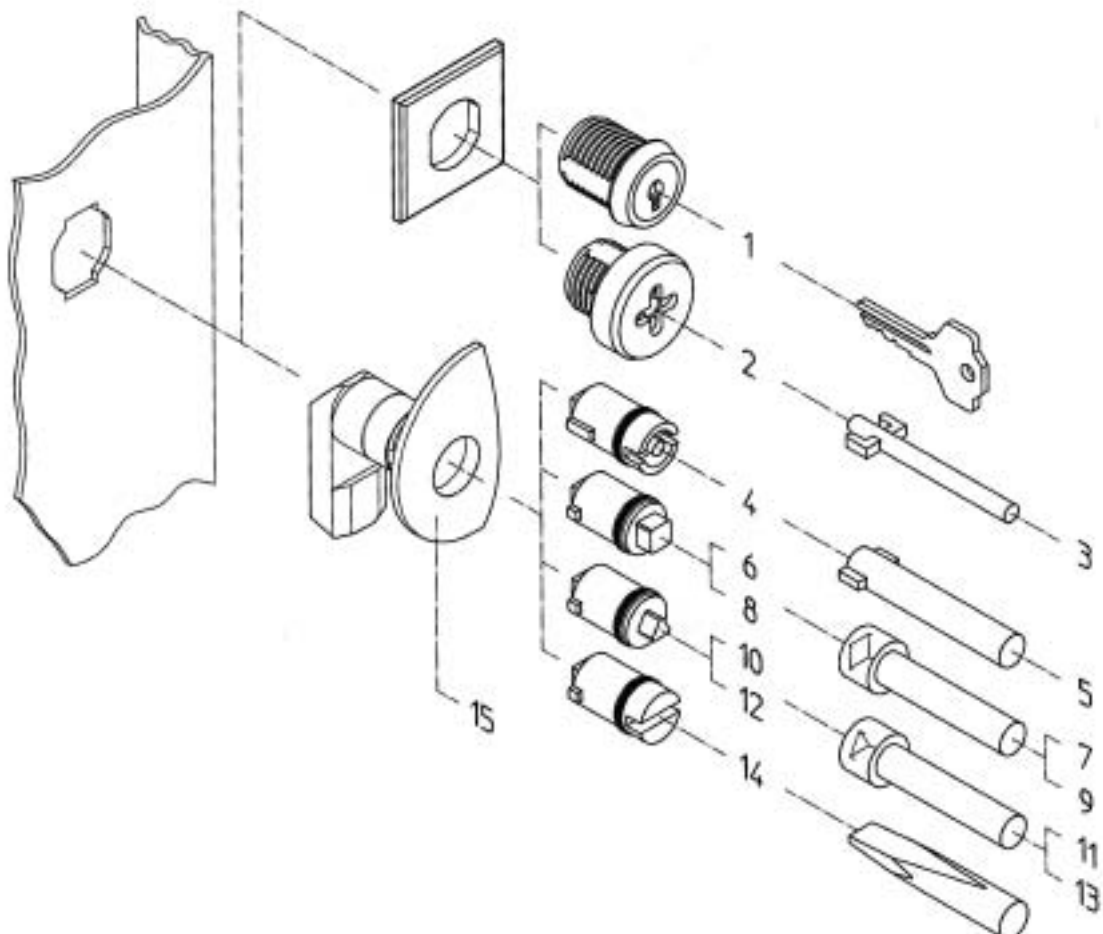
# complementary accessories

## closing systems

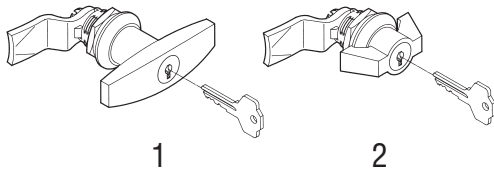
code		ref.	description
mod.	art.		
*WE	235	1	Viro insert
*WE	240	2	Fiat insert
WE	210	3	Fiat key
WE	255	4	ETA insert
WE	096	5	ETA key
WE	260	6	insert $\varnothing 6$
WE	263	7	key $\varnothing 6$
WE	265	8	insert $\varnothing 7$
WE	268	9	key $\varnothing 7$
WE	270	10	insert $\varnothing 6,5$
WE	273	11	key $\varnothing 6,5$
WE	275	12	insert $\varnothing 8$
WE	278	13	key $\varnothing 8$
WE	280	14	screw driver insert
WE	250	15	lock without insert



\* Including cam and locking cover



# complementary accessories

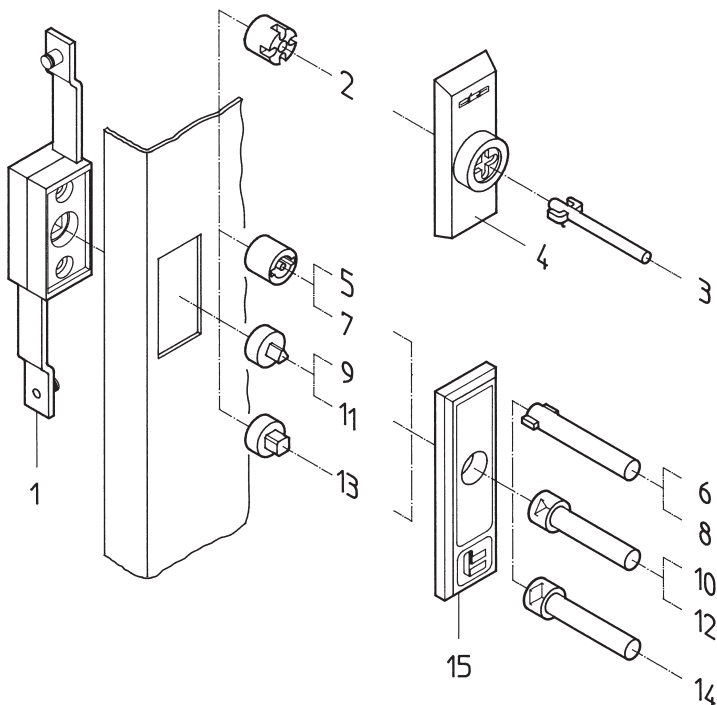


## closing systems

code		ref.	description
mod.	art.		
WE	285	1	T handle with keylock
WE	288	2	wing handle with keylock

## DOUBLE DOOR BOX CLOSING SYSTEM WITH ROD MECHANISM

code		ref.	description
mod.	art.		
WE	010	1	rod drive
WE	080	2	Fiat insert
WE	210	3	Fiat key
WE	027	4	Fiat cover
WE	030	5	Ø 3 ETA insert
WE	160	6	Ø 3 ETA key
WE	040	7	Ø 5 ETA insert
WE	170	8	Ø 5 ETA key
WE	050	9	insert $\sphericalangle$ 7
WE	180	10	key $\sphericalangle$ 7
WE	060	11	insert $\sphericalangle$ 8
WE	190	12	key $\sphericalangle$ 8
WE	070	13	insert $\sphericalangle$ 7
WE	200	14	key $\sphericalangle$ 7
WE	020	15	ETA cover

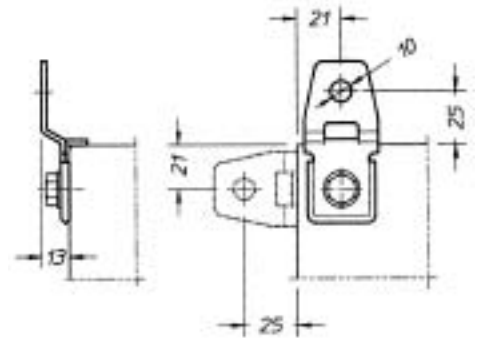


# complementary accessories

## WALL MOUNTING BRACKETS SDWC

Manufactured from 2.5mm zincpassivated sheet steel.  
Supply includes: 4 pieces.

code		
mod.	art.	
SDWC	010	



## MOUNTING PLATE SDPA

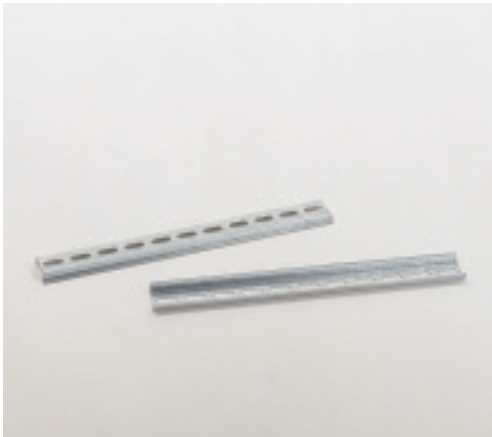
Manufactured from 2mm zincpassivated sheet steel.  
Supply includes: single piece.

code		box dimensions		B	A	weight kg.
mod.	art.	width	height			
SDPA	11	150	150	140	140	0.45
SDPA	22	200	200	176	170	0.59
SDPA	31	300	150	276	140	0.87
SDPA	32		200		170	0.92
SDPA	33		300		270	1.46
SDPA	42	400	200	376	170	1.26
SDPA	43		300		270	1.99
SDPA	44		400		370	2.73
SDPA	52	500	200	476	170	1.59
SDPA	53		300		270	2.53
SDPA	62	600	200	576	170	1.92
SDPA	63		300		270	3.06
SDPA	64		400		370	4.19
SDPA	82	800	200	776	170	2.59
SDPA	84		400		370	5.64





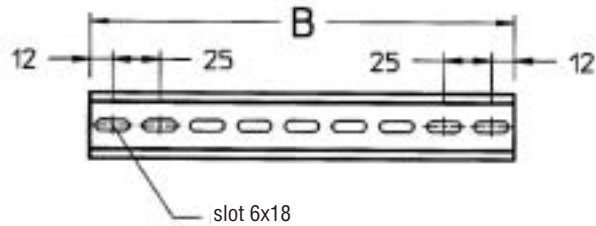
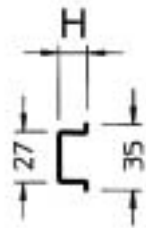
# complementary accessories



## INNER RAILS SDWA

Manufactured from sendzimir sheet steel bars.  
Supply includes: 10 pieces.

code		box width	B	H
mod.	art.			
SDWA	013	150	125	7.5
SDWA	015	200	175	
SDWA	020	300	275	
SDWA	025	400	375	
SDWA	030	500	475	
SDWA	035	600	575	15
SDWA	040	800	775	



## HINGES SDWA

Manufactured from white zincpassivated alloy.  
Supply includes: 6 hinges, 6 closing caps, mounting accessories.



code	
mod.	art.
SDWA	005

