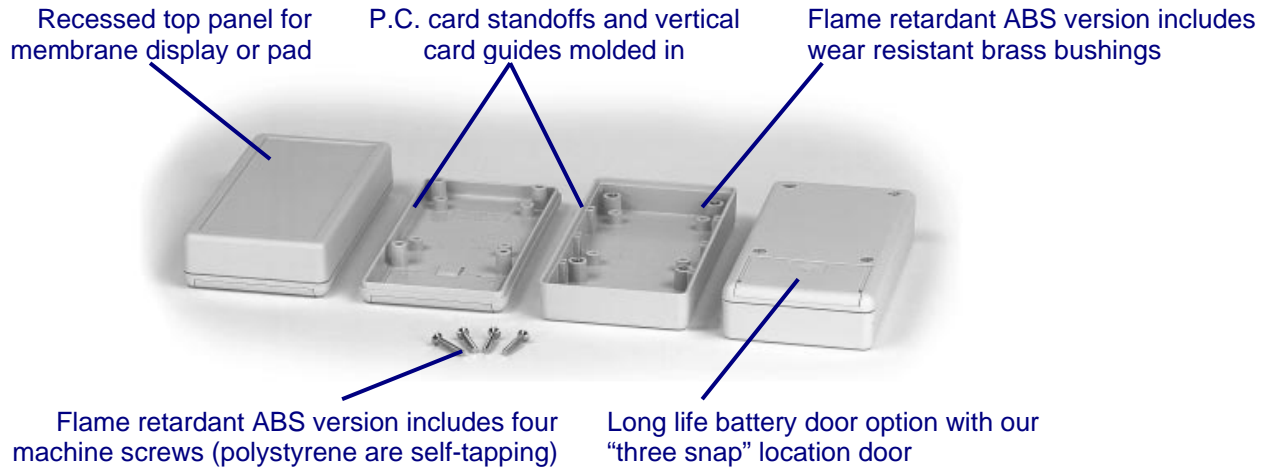


Hand Held

P
L
A
S
T
I
C



OTHER KEY FEATURES

- Attractively styled and ergonomically designed for use as a "hand-held" instrument enclosure.
- Lap joint construction provides protection against access of dust and splashing water.
- Extra deep top and ultra shallow base are specifically designed to enhance the aesthetics of the enclosure and provide the user with flexibility and assembly efficiency.
- Designed to meet IP54.
- Flame retardant ABS plastic carries a UL flammability rating of 94 V-O.
- Accessory screws for mounting P.C. boards into standoffs P/N CEMIS ATS50 (qty. 50), P/N CEMIS ATS100 (qty. 100).
- Two keyhole knockouts are molded into the inside of the base to facilitate wall mount installation.

Fire Retardant ABS Plastic

High Impact Polystyrene

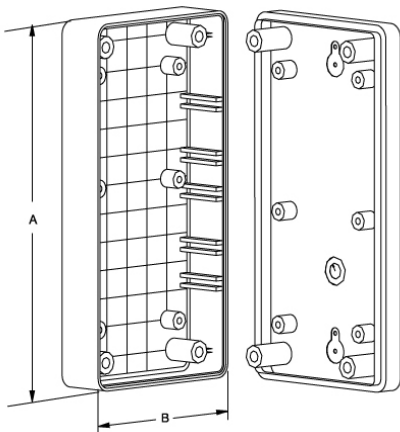
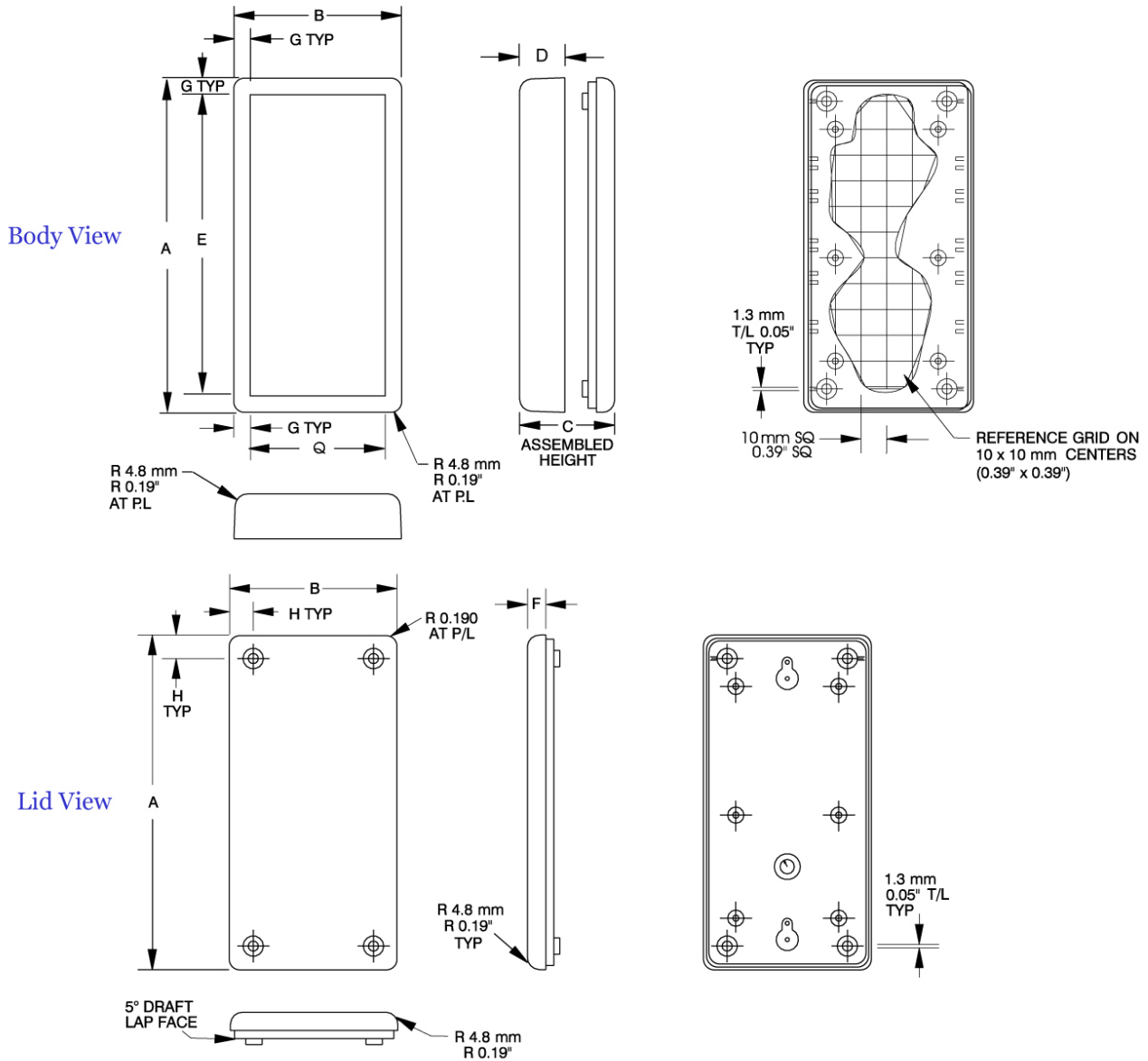
Part Number	See Size Chart	Colour	Battery Door	Belt Clip	Shielded
CEM HH – BBK	CEM HH – B	Black	-	-	-
CEM HH – BGY	CEM HH – B	Grey	-	-	-
CEM HH – RBBK	CEM HH – B	Black	-	-	YES
CEM HH – BBKBAT	CEM HH – B	Black	YES	-	-
CEM HH – BGYBAT	CEM HH – B	Grey	YES	-	-
CEM HH – BBKCP	CEM HH – B	Black	-	YES	-
CEM HH – BGYCP	CEM HH – B	Grey	-	YES	-
CEM HH – BBKBATCP	CEM HH – B	Black	YES	YES	-
CEM HH – BGYBATCP	CEM HH – B	Grey	YES	YES	-
CEM HH – EBK	CEM HH – E	Black	-	-	-
CEM HH – EGY	CEM HH – E	Grey	-	-	-
CEM HH – REBK	CEM HH – E	Black	-	-	YES
CEM HH – EBKBAT	CEM HH – E	Black	YES	-	-
CEM HH – EGYBAT	CEM HH – E	Grey	YES	-	-
CEM HH – HBK	CEM HH – H	Black	-	-	-
CEM HH – HGY	CEM HH – H	Grey	-	-	-
CEM HH – RHBK	CEM HH – H	Black	-	-	YES
CEM HH – HBKBAT	CEM HH – H	Black	YES	-	-
CEM HH – HGYBAT	CEM HH – H	Grey	YES	-	-
CEM HH – KBK	CEM HH – K	Black	-	-	-
CEM HH – KGY	CEM HH – K	Grey	-	-	-
CEM HH – KBKBAT	CEM HH – K	Black	YES	-	-
CEM HH – KGYBAT	CEM HH – K	Grey	YES	-	-

Part Number	See Size Chart	Colour	Battery Door
CEMHH BSGY	CEMHH B	Grey	-
CEMHH BSGYBAT	CEMHH B	Grey	YES
CEMHH ESGY	CEMHH E	Grey	-
CEMHH ESGYBAT	CEMHH E	Grey	YES
CEMHH HSGY	CEMHH H	Grey	-
CEMHH HSGYBAT	CEMHH H	Grey	YES
CEMHH KSGY	CEMHH K	Grey	-
CEMHH KSGYBAT	CEMHH K	Grey	YES

Battery Holder Kits

- Kits include all the parts required to install the batteries
- Kit includes the battery holder, wires, divider and foam anti-rattle pad.

Part Number	Battery holder kit for:
BH1AAWKIT	1 AA Cell
BH2AAWKIT	2 AA Cells
BH1AAAANKIT	1 AAA Cell
BH2AAAANKIT	2 AAA Cells
BH3AAAANKIT	3 AAA Cells
BH4AAAANKIT	4 AAA Cells
BS61KIT	1 - 9V Cell



Size Chart

Part Number	Dimensions								
	A	B	C	D	F	G	H	Q	E
CEMHH B	130	65	25	17.5	7	6	9	52.2	117.2
CEMHH E	170	85	34	26	8	6	10	71	157
CEMHH H	220	110	44	35	9	6	11	94.8	204.8
CEMHH K	220	140	40	30	9	6	11	126	206



Replacement Screws for ABS

Machine screw, used in flame retardant ABS CEMHH B series (ie...with brass inserts).
M3 - 0.5 x 20 mm
CEMFR MS100 - Package of 100

Machine screw, used in flame retardant ABS CEMHH E, H & K series (ie...with brass inserts).
M3 - 0.5 x 10 mm
CEMHH MS100 - Package of 100



Replacement Screws for Polystyrene

Self-tapping type, used in polystyrene CEMHH BS series (ie...no brass inserts).
4 x 3/4"

CEMHH BTS100 - Package of 100

Self-tapping type, used in polystyrene CEMHH ES, HS & KS series (ie...no brass inserts). # 4 x 5/8"

CISFR TS100 - Package of 100

Battery Holder Kits

- Designed for our battery door enclosures.
- Kits include all the parts required to install the battery or batteries.
- Kit includes the battery holder, wires, divider and foam anti-rattle pad.

Part Number	Battery holder kit for:	Fits Battery Door Enclosure Size:
BH1AAWKIT	1 AA Cell	B, E, H & K
BH2AAWKIT	2 AA Cells	B, E, H & K
BH1AAAWKIT	1 AAA Cell	B, E, H & K
BH2AAAWKIT	2 AAA Cells	B, E, H & K
BH3AAAWKIT	3 AAA Cells	E, H & K
BH4AAAWKIT	4 AAA Cells	E, H & K
BS61KIT	1 - 9V Cell	B, E, H & K

Nylon screws for electrical insulation and strength



High strength nylon clip for belt or pocket

Belt or Pocket Clip (for hand held)

Molded from tough nylon, includes 2 nylon screws and mounting template.

Black – CEMHH CLIP

Grey – CEMHH CLIPGY

P.C. Board Mounting Screws

Self-tapping type, used for bosses in the CEMHH series for P.C. board installation. # 4 x 1/4" (6.4 mm)

CEMIS ATS50 - Package of 50

CEMIS ATS100 - Package of 100



Battery Dividers (for hand held)

Grey ABS plastic panel barriers which insert vertically into the P.C. card guides of the CEMHHE series.

CEMHH BD5 - Package of 5

CEMHH BD100 - Package of 100

Grey ABS plastic panel barriers which insert vertically into the P.C. card guides of the CEMHHE series.

CEMHH ED5 - Package of 5

CEMHH ED100 - Package of 100

Grey ABS plastic panel barriers which insert vertically into the P.C. card guides of the CEMHH H series.

CEMHH HD5 - Package of 5

CEMHH HD100 - Package of 100

