

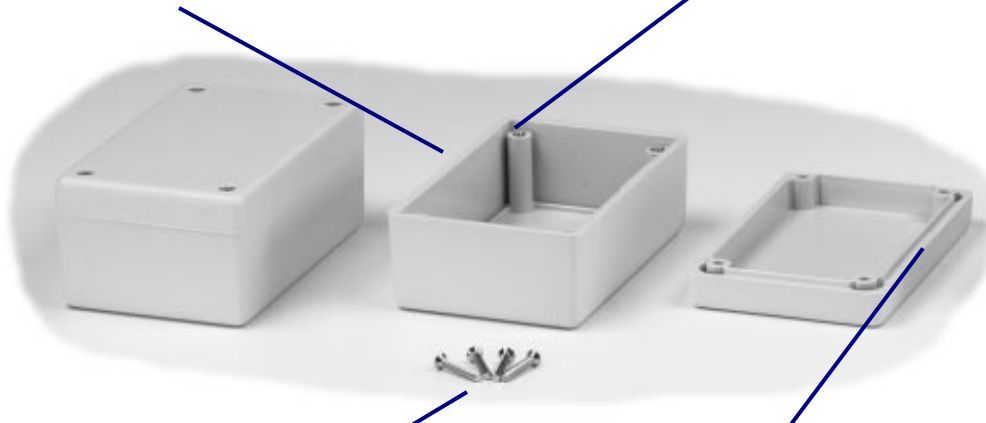
## Heavy Duty - ABS

Heavy duty - thick wall design

Brass bushings for repetitive assembly and disassembly



Molded in Flame Retardant ABS



Enclosure uses machine screws into brass bushings

Lap joint construction

P  
L  
A  
S  
T  
I  
C

### OTHER KEY FEATURES

- Rugged electronic instrument enclosures, designed for mounting printed circuit boards. Heavy duty with an average wall thickness of .12" (3.1 mm).
- Molded in flame retardant ABS plastic (material carries a UL flammability rating of 94V-0).
- Designed to meet IP54, watertight version meets IP65.
- Countersunk lid is secured with four M3 x 0.5" x 0.71" (18 mm) Philips machine screws threaded into tapped integral brass bushings.
- Stocked in black and grey with matte textured finish.
- Watertight version has a silicon rubber seal.

### ACCESSORIES



#### **P.C. Board Card Guides**

Allow for vertical or horizontal mounting of P.C. board. Each part number contains either 25 or 5 "sets". Each "set" includes four adaptors (2 - for the short side, 2 - for the long side).  
Molded from black ABS plastic.



#### **Belt or Pocket Clip**

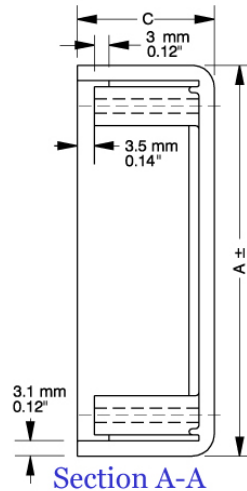
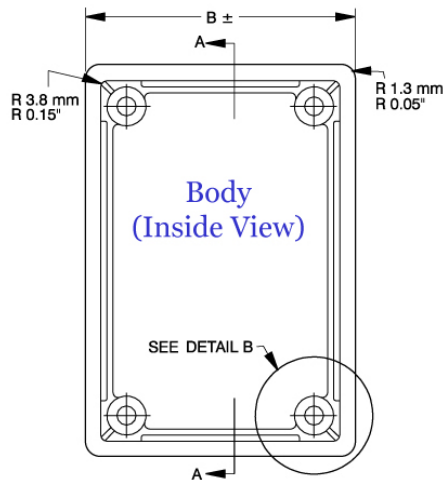
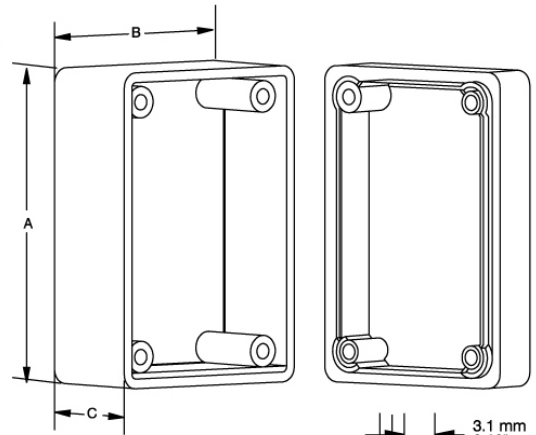
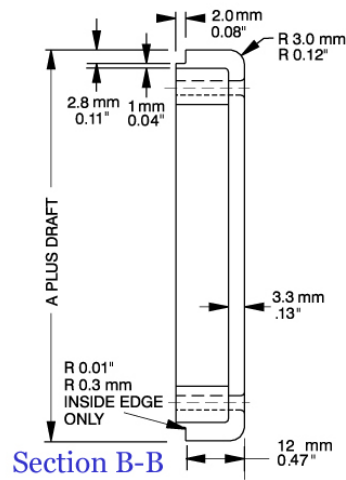
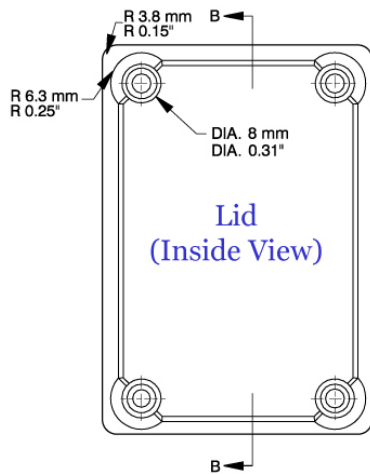
Molded from tough nylon, includes 2 nylon screws and mounting template.  
Black - CEMHH CLIP  
Grey - CEMHH CLIPGY



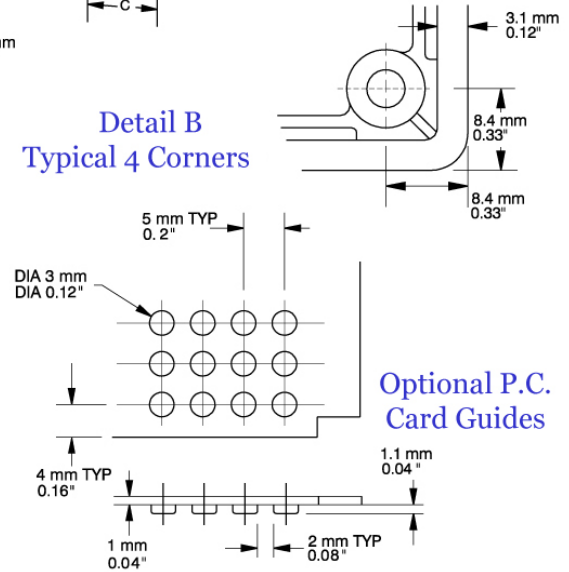
#### **Replacement Screws**

Machine screw, used in flame retardant ABS CEMFR series (ie...with brass inserts).  
M3 - 0.5 x 20 mm  
CEMFR MS100 - Package of 100  
CEMFR WMS100 - Package of 100 (for watertight version)

| Use with part number | Accessories      |               |                     |              |                                  |   |
|----------------------|------------------|---------------|---------------------|--------------|----------------------------------|---|
|                      | P.C. Card Guides |               | Belt or Pocket Clip |              | Replacement screws (100 per bag) | Replacement screws for watertight (100 per bag) |
|                      | (25 SETS OF 4)   | (5 SETS OF 4) | Black               | Grey         |                                  |   |
| CEM FR - A           | CEMFR AZ25       | CEMFR AD5     | CEMHH CLIP          | CEMHH CLIPGY | CEMFR MS100                      | CEMFR WMS100                                    |
| CEM FR - B           | CEMFR BZ25       | CEMFR BD5     | CEMHH CLIP          | CEMHH CLIPGY | CEMFR MS100                      | CEMFR WMS100                                    |
| CEM FR - C           | CEMFR CZ25       | CEMFR CD5     | CEMHH CLIP          | CEMHH CLIPGY | CEMFR MS100                      | CEMFR WMS100                                    |
| CEM FR - D           | CEMFR DZ25       | CEMFR DD5     | CEMHH CLIP          | CEMHH CLIPGY | CEMFR MS100                      | CEMFR WMS100                                    |
| CEM FR - E           | CEMFR EZ25       | CEMFR ED5     | CEMHH CLIP          | CEMHH CLIPGY | CEMFR MS100                      | CEMFR WMS100                                    |



**Detail B Typical 4 Corners**



| Part number |           |                |                  | Dimensions |     |    |                  |
|-------------|-----------|----------------|------------------|------------|-----|----|------------------|
| Black       | Grey      | Black Shielded | Black Watertight | A          | B   | C  | Assembled Height |
| CEMFR ABK   | CEMFR AGY | CEMFR RABK     | CEMFR AWBK       | 56         | 56  | 28 | 40               |
| CEMFR BBK   | CEMFR BGY | CEMFR RBBK     | CEMFR BWBK       | 81         | 56  | 28 | 40               |
| CEMFR CBK   | CEMFR CGY | CEMFR RCBK     | CEMFR CWBK       | 105        | 66  | 33 | 45               |
| CEMFR DBK   | CEMFR DGY | CEMFR RDBK     | CEMFR DWBK       | 131        | 66  | 43 | 55               |
| CEMFR EBK   | CEMFR EGY | CEMFR REBK     | CEMFR EWBK       | 167        | 107 | 53 | 65               |

**NOTES:** - Assembled height = dimension "C" + 12.0 mm  
 - Average wall thickness: 3.1 mm